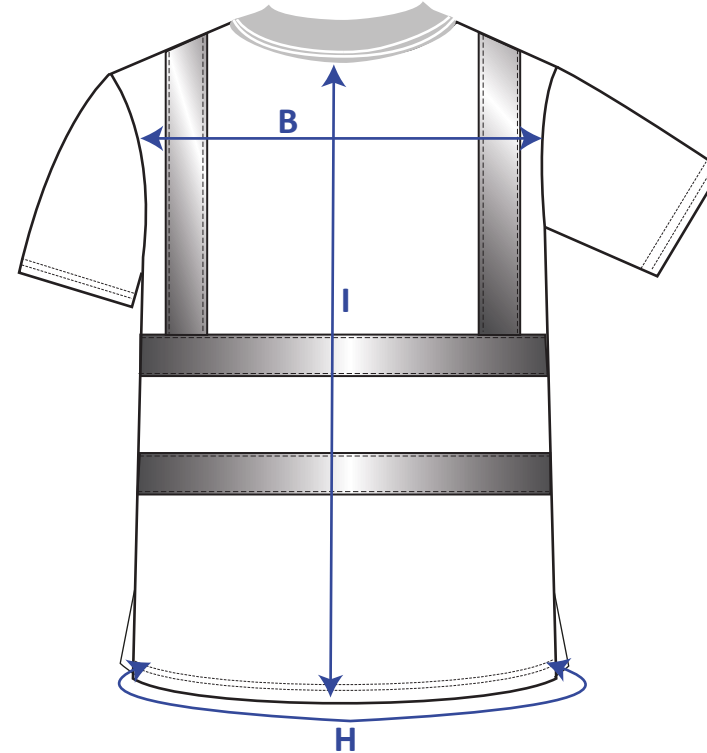
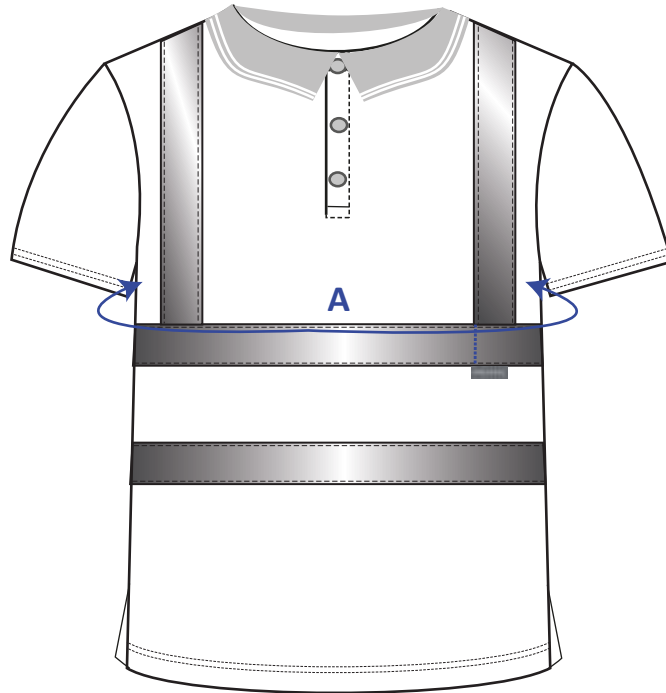


STYLE NO: S477

DESCRIPTION: **Hi-Vis Short Sleeved Polo Shirt**

FABRIC: **100% Polyester Birdeye Knit**

COLOUR: **Yellow, Red**



Measurements in CM												
Size	XS	S	M	L	XL	XXL	XXXL	4XL	5XL	6XL	7XL	
To Fit Chest	80-88	92-96	100-104	108-112	116-124	128-132	136-140	144-148	152-160	164-172	176-184	
A Chest	98	106	114	122	134	142	150	158	170	182	194	
B Across Back (measured 12cm below neck)	46	48	50	52	55	57	59	61	64	67	70	
H Hem circumference	98	106	114	122	134	142	150	158	170	182	194	
I Centre Back Length	74	76	76	76	76	76	78	78	80	80	82	